

SRT03T SERIES THERMOSTAT

DESCRIPTION

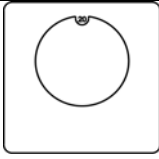
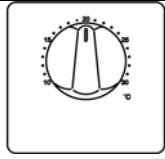
SRT03T series thermostats are widely used in commercial, industrial and residential buildings. They are suitable for room temperature control of HVAC system, especially for fan coils, electrical heaters, etc. The thermostat is easy to install, with high sensitivity and reliability.



CHARACTERISTICS

- With smart and simple housing.
- Temperature can be set by the user.
- Unipolar gas filled bellows sensitive element is used, with high sensitivity and reliability.
- Convenient installation. Can be wall-mounted, embedded-mounted or ceiling-concealed mounted.

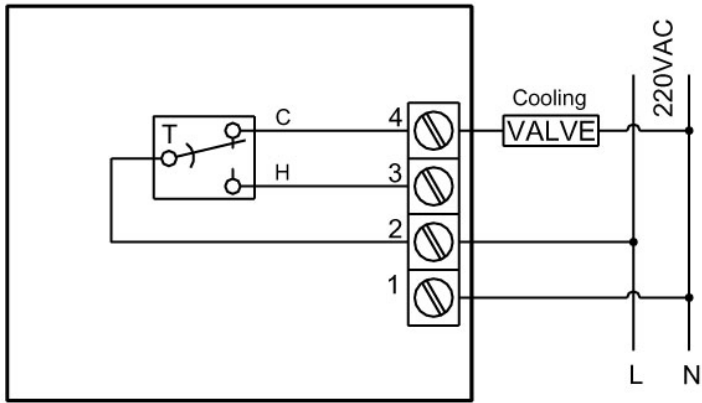
SPECIFICATIONS AND TECHNICAL DATA

FIGURE		
MODEL	SRT03T-A	SRT03T-B
DIMENSION	73mmX73mmX38mm	73mmX73mmX41mm
WORKING RANGE	10~30°C	
TEMPERATURE DIFFERENCE	0.5~0.8°C	
SENSITIVE ELEMENT	Unipolar gas filled bellow	
OUTPUT SIGNAL	Thermostat 1A 250V AC	
WIRING CONNECTION	Terminals and Wiring: 0.5~1.5mm ²	
HOUSING	Material	Fireproof ABS plastic
	Color	White

INSTALLATION INSTRUCTION

1. Mount the thermostat vertically on the wall in the air-conditioned room. It should be 1.5m above the floor so that it can measure the room temperature accurately with enough air passing through.
2. Install the thermostat in the place without direct shining and far away from cooking device or other heat sources.
3. Take out the temperature adjusting knob, loosen the screw on the cover. Remove the cover according to the Installation Diagrams.
4. Fix the base on the connection box with screws.
5. Pass the wires through the square hole of the base. Connect the wires to the terminal according to the Installation Diagram inside the cover and tighten them. Details please see the Installation Diagram.

WIRING DIAGRAM



SRT03T-A

SRT03T-B

For 4-pipe application, terminal "3" connect with heating valve; terminal "4" connect with cooling valve.

INSTALLATION DIAGRAM

